

Garage door locks and accessories.



Garage door locks.



ASSA ABLOY

nemef.com

Experience a safer and more open world

Garage door locks and accessories.

ASSA ABLOY Nederland B.V. guarantees an extensive and continually growing assortment of locks and builders' hardware, such as door locks, profile cylinders, multi-point locks and access control. These quality products that leave the ASSA ABLOY plant reach their customers quickly and efficiently due to a hypermodern distribution centre in the Netherlands.

ASSA ABLOY is working today on the standard for tomorrow through innovative product development focused on contemporary user convenience. Within this brochure we give an overview of our Nemeff garage door locks and accessories. Garage door locks are supplied without rods.

Functions

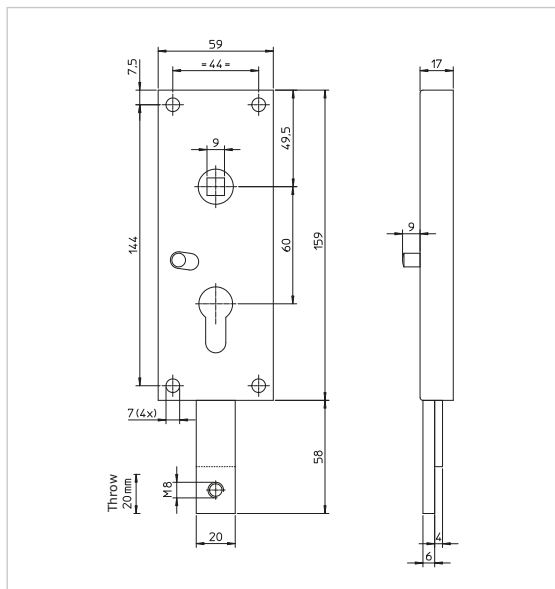
Night function = The door is always closed. Opening from the outside is only possible by using the key and from the inside by using the lever knob.

Day and night function = Opening and closing always by using the key or the lever knob.

		Page
Garage door locks	1802 Serie	4
	1803 Serie	7
	1804 Serie	8
	1806 Serie	9
	1807 Serie	11
	1808 Serie	13
	1809 and 1836 Serie	14
	1842 and 1845 Serie	15
	1846 Serie	16
	1851 Serie	18
	1860 and 1861 Serie	19
1864 and 1899 Serie	20	
Accessories	Garage door lock furniture	21
	Inside handle	22
	Outside handle and long plate	23
	Catches and special mortise lock	24
	Narrow style locks	25

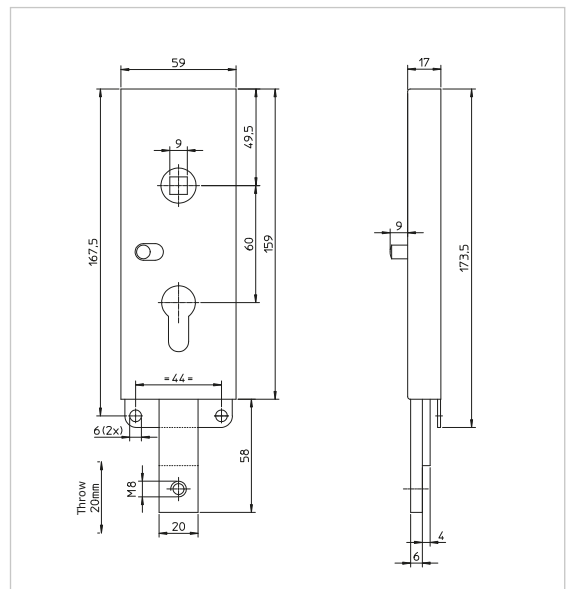
1802 Series. Garage door locks.

1802/B



- Garage door lock 1802/B
- Provided for one spring-loaded rod downwards
- M8 attachment hole
- To take profile cylinder
- Zinc-plated
- 9 mm follower
- 60 mm distance
- Night function
- Article nr. 9180200020

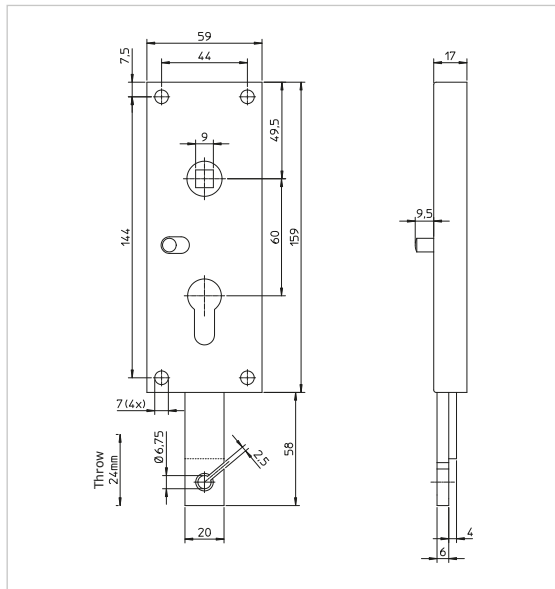
1802/H



- Garage door lock 1802/H
- Provided for one spring-loaded rod downwards
- M8 attachment hole
- To take profile cylinder
- Zinc-plated
- 9 mm follower
- 60 mm distance
- Day and night function
- Article nr. 9180200080

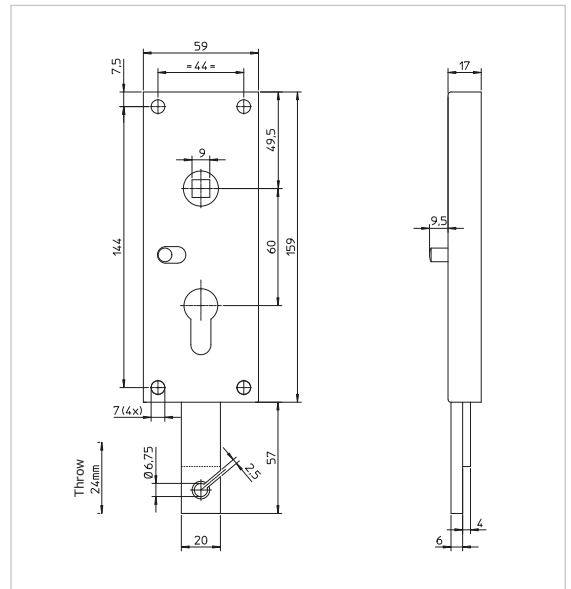
1802 Series. Garage door locks.

1802/T



- Garage door lock 1802/T
- Provided for one spring-loaded rod downwards
- 6.75 mm attachment hole
- To take profile cylinder
- Zinc-plated
- 9 mm follower
- 60 mm distance
- Day and night function
- Article nr. 9180200200

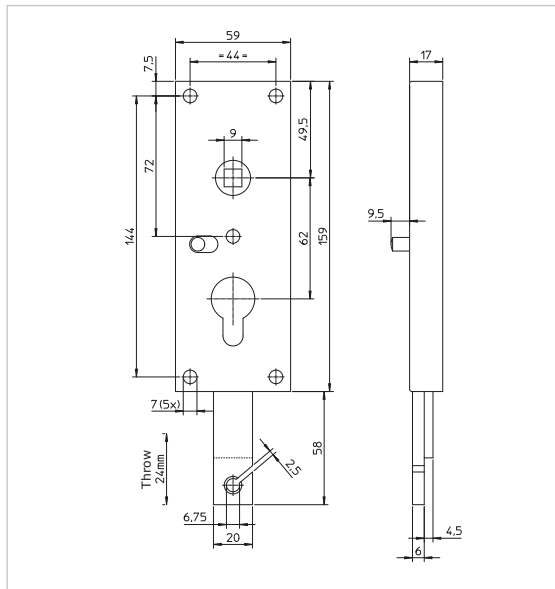
1802/02



- Garage door lock 1802/02
- Provided for one rigid rod downwards
- 6.75 mm attachment hole
- To take profile cylinder
- Zinc-plated
- 9 mm follower
- 60 mm distance
- Day and night function
- Article nr. 9180200200

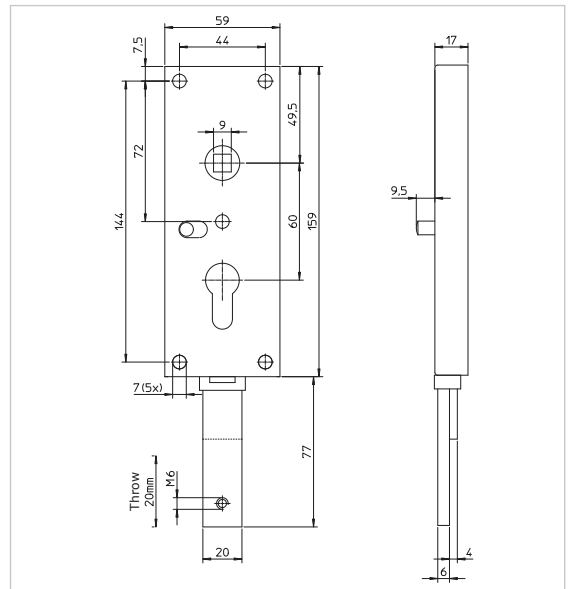
1802 Series. Garage door locks.

1802/05



- Garage door lock 1802/05 KABA
- Provided for one spring-loaded rod downwards
- 6.75 mm attachment hole
- To take 22 mm KABA cylinder
- Zinc-plated
- 9 mm follower
- 62 mm distance
- Day and night function
- Article nr. 9180205000.

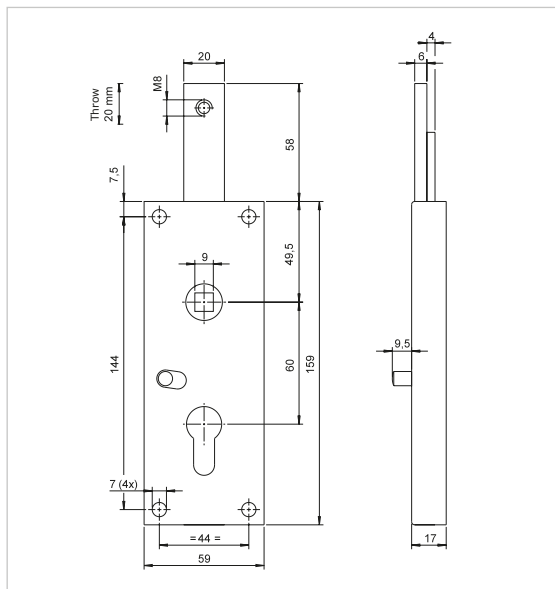
1802/06



- Garage door lock 1802/06
- Provided for one spring-loaded rod downwards with noise reduction
- M6 attachment hole
- To take profile cylinder
- Zinc-plated
- 9 mm follower
- 60 mm distance
- Day and night function
- Article nr. 9180206000

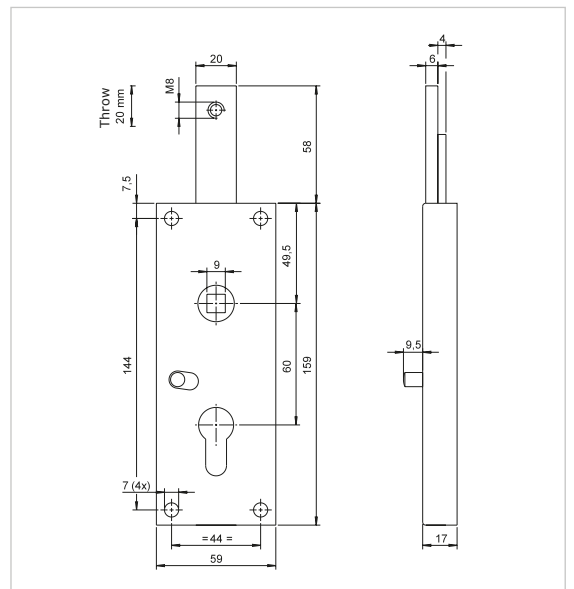
1803 Series. Garage door locks.

1803/B



- Garage door lock 1803/B
- Provided for one spring-loaded rod upwards
- M8 attachment hole
- To take profile cylinder
- Zinc-plated
- 9 mm follower
- 60 mm distance
- Night function
- Article nr. 9180300020

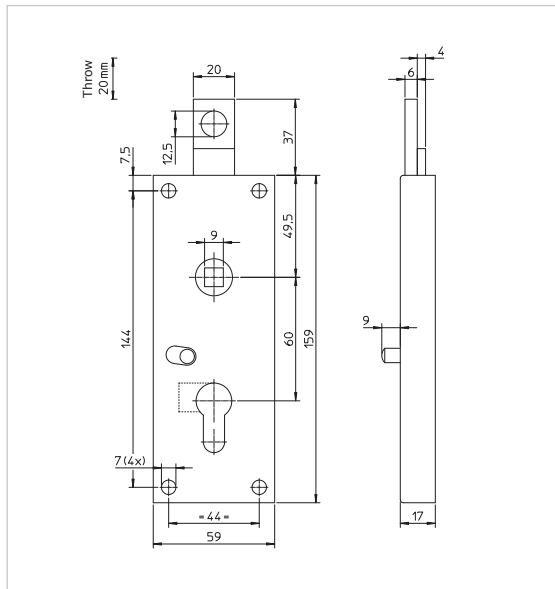
1803/01



- Garage door lock 1803/01
- Provided for one spring-loaded rod upwards
- M8 attachment hole
- To take profile cylinder
- Zinc-plated
- 9 mm follower
- 60 mm distance
- Night function
- With heavy duty spring
- Article nr. 9180301000

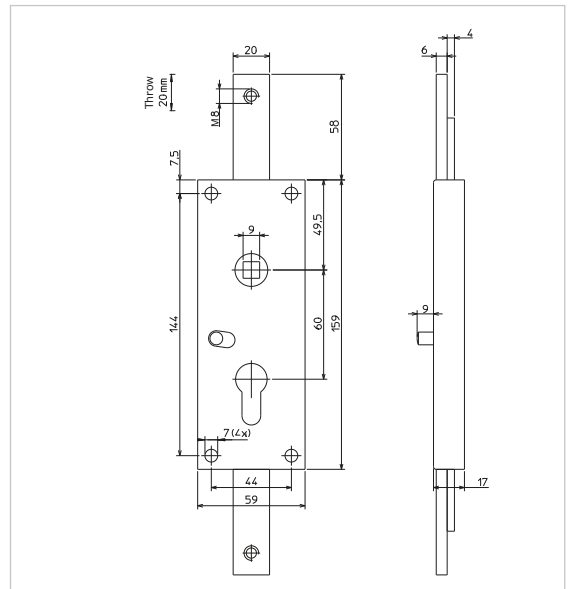
1803 and 1804 Series. Garage door locks.

1803/06



- Garage door lock 1803/06
- Provided for one spring-loaded rod in opposite direction upwards
- 12.5 mm attachment hole
- To take profile cylinder
- Zinc-plated
- 9 mm follower
- 60 mm distance
- Night function.
- Article nr. 9180306000

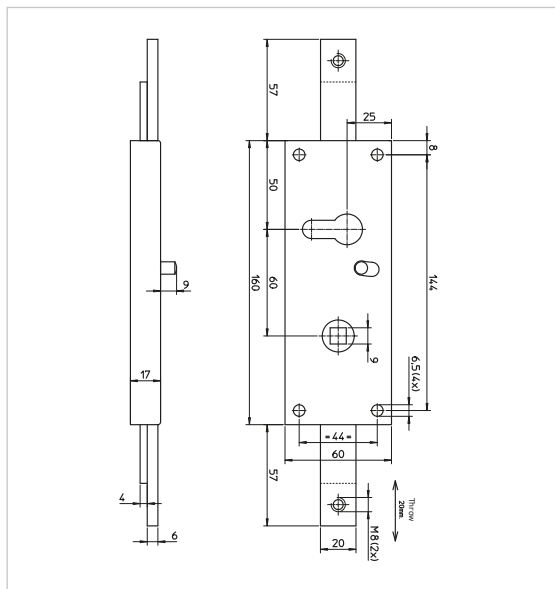
1804/B



- Garage door lock 1804/B
- Provided for two spring-loaded rods upwards and downwards
- M8 attachment hole
- To take profile cylinder
- Zinc-plated
- 9 mm follower
- 60 mm distance
- Night function
- Article nr. 9180400020

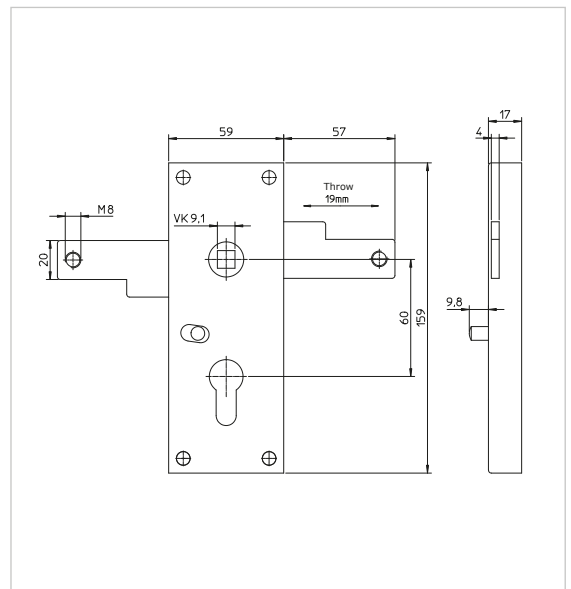
1804 and 1806 Series. Garage door locks.

1804/04



- Garage door lock 1804/04
- Provided for two spring-loaded rods horizontally independent from each other
- M8 attachment hole
- To take profile cylinder
- Zinc-plated
- 9 mm follower
- 60 mm distance
- Night function
- Article nr. 9180404000

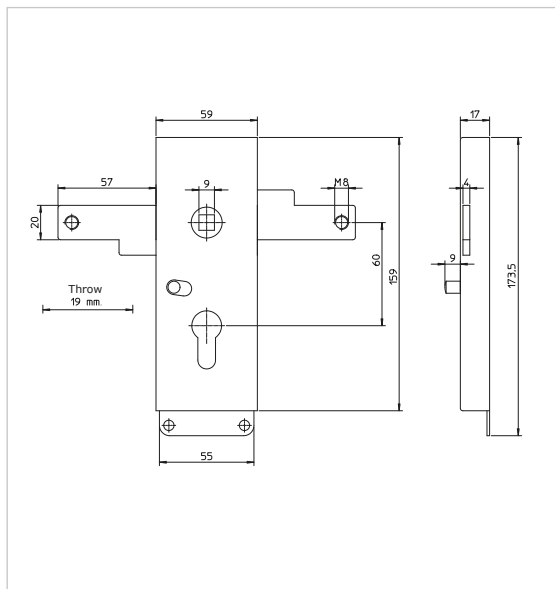
1806/A



- Garage door lock 1806/A
- Provided for two rigid rods horizontally
- M8 attachment hole
- To take profile cylinder
- Zinc-plated
- 9 mm follower
- 60 mm distance
- Night function
- Article nr. 9180600010

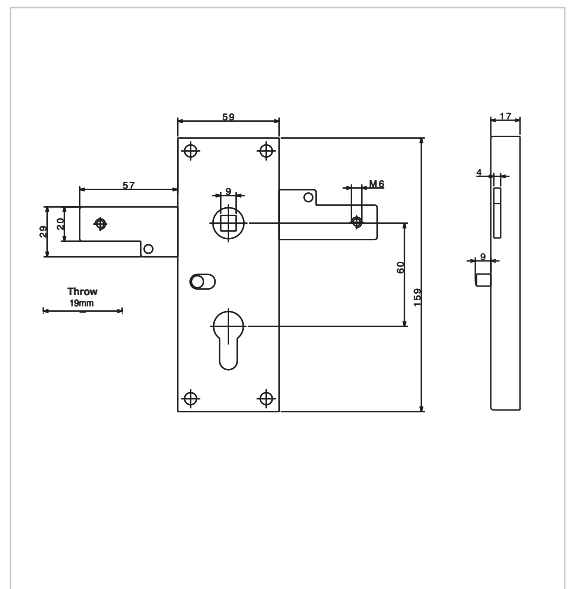
1806 Series. Garage door locks.

1806/B



- Garage door lock 1806/B
- Provided for two rigid rods horizontally
- M8 attachment hole
- To take profile cylinder
- Zinc-plated
- 9 mm follower
- 60 mm distance
- Night function
- Article nr. 9180600020

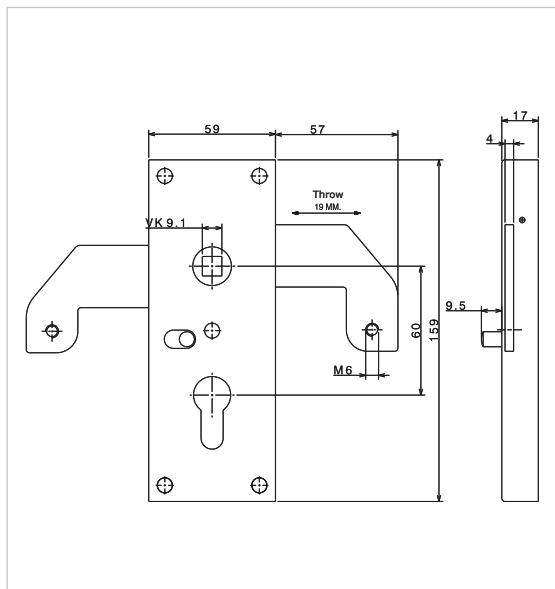
1806/02



- Garage door lock 1806/02
- Provided for two rigid rods horizontally
- M6 attachment hole
- To take profile cylinder
- Zinc-plated
- 9 mm follower
- 60 mm distance
- Day and night function
- Article nr. 9180602000

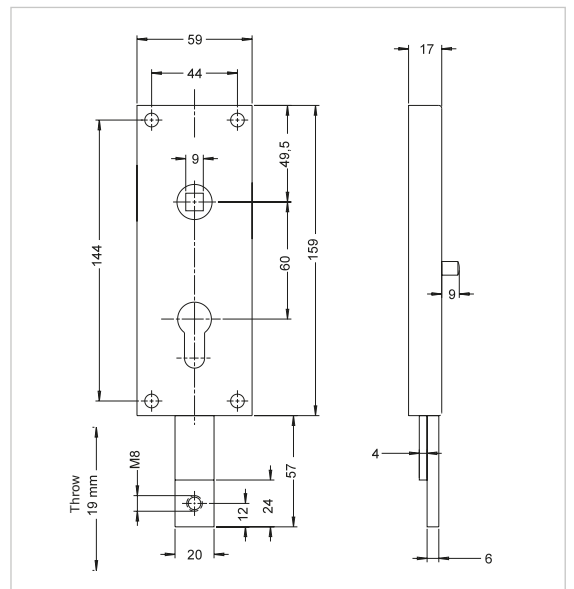
1806 and 1807 Series. Garage door locks.

1806/08



- Garage door lock 1806/08
- Provided for two spring-loaded rods horizontally independent from each other
- M6 attachment hole
- To take profile cylinder
- Zinc-plated
- 9 mm follower
- 60 mm distance
- Day and night function
- Article nr. 9180608000

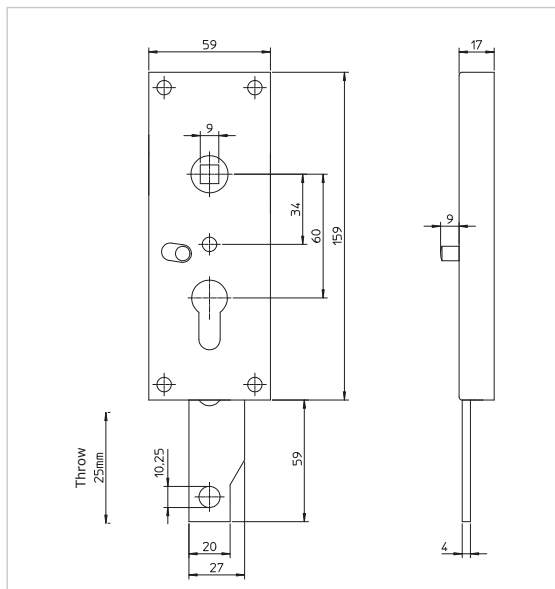
1807/B



- Garage door lock 1807/B
- Provided for one rigid rod downwards
- M8 attachment hole
- To take profile cylinder
- Zinc-plated
- 9 mm follower
- 60 mm distance
- Night function
- Article nr. 9180700020

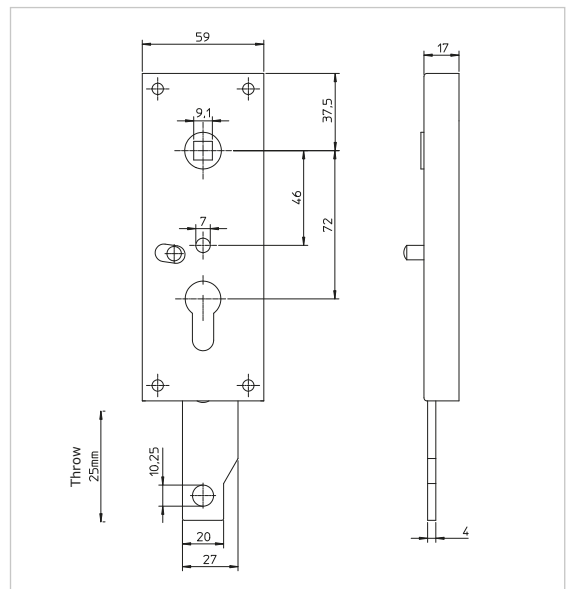
1807 Series. Garage door locks.

1807/01



- Garage door lock 1807/01
- Provided for one rigid rod downwards
- 10.25 mm attachment hole
- To take profile cylinder
- Zinc-plated
- 9 mm follower
- 60 mm distance
- Night function
- Article nr. 9180701000

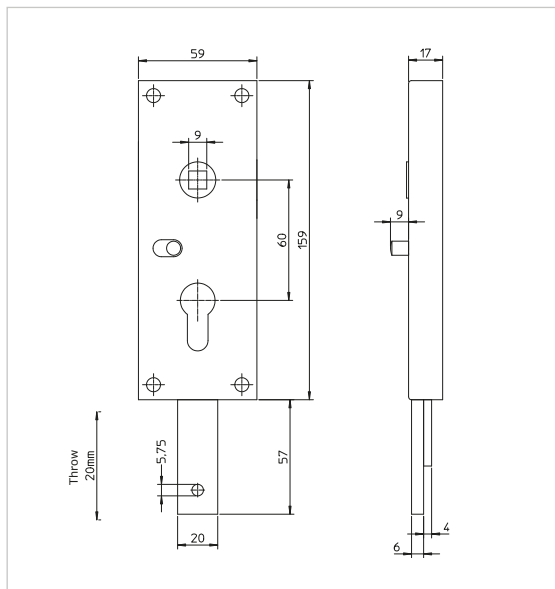
1807/02



- Garage door lock 1807/02
- Provided for one rigid rod downwards
- 10.25 mm attachment hole
- To take profile cylinder
- Zinc-plated
- 9 mm follower
- 72 mm distance
- Night function
- Article nr. 9180702000

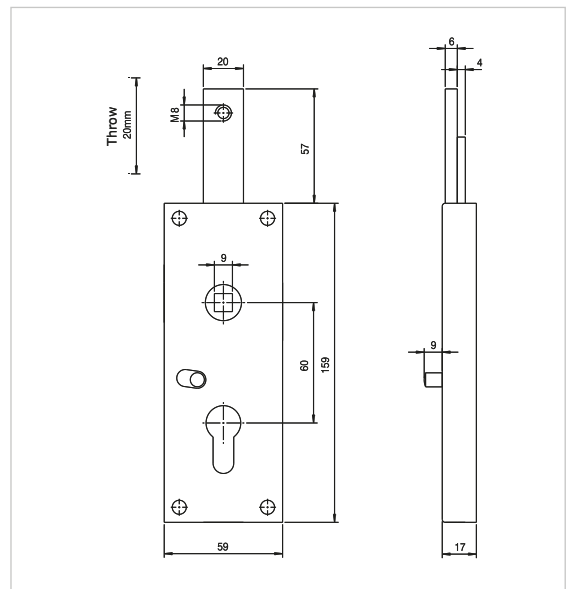
1807 and 1808 Series. Garage door locks.

1807/03



- Garage door lock 1807/03
- Provided for one rigid rod downwards
- 5.75 mm attachment hole
- To take profile cylinder
- Zinc-plated
- 9 mm follower
- 60 mm distance
- Day and night function
- Article nr. 9180703000

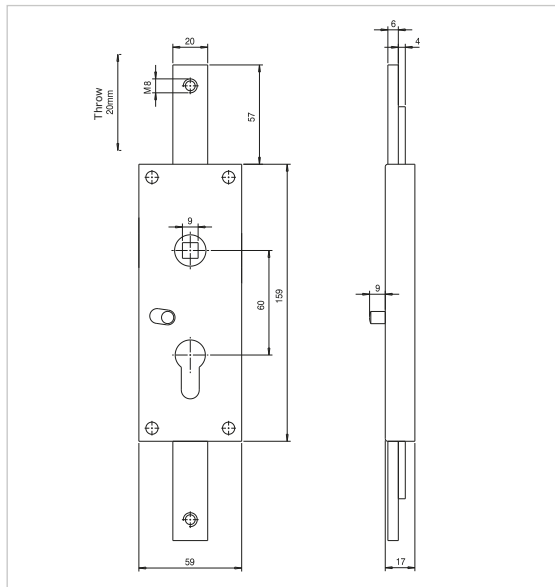
1808/B



- Garage door lock 1808/B
- Provided for one rigid rod upwards
- M8 attachment hole
- To take profile cylinder
- Zinc-plated
- 9 mm follower
- 60 mm distance
- Night function
- Article nr. 9180800020

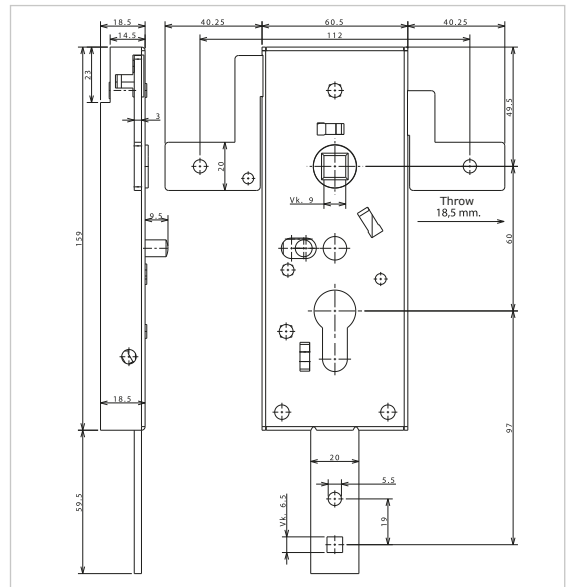
1809 and 1836 Series. Garage door locks.

1809/B



- Garage door lock 1809/B
- Provided for two rigid rods upwards and downwards
- M8 attachment hole
- To take profile cylinder
- Zinc-plated
- 9 mm follower
- 60 mm distance
- Night function
- Article nr. 9180900020

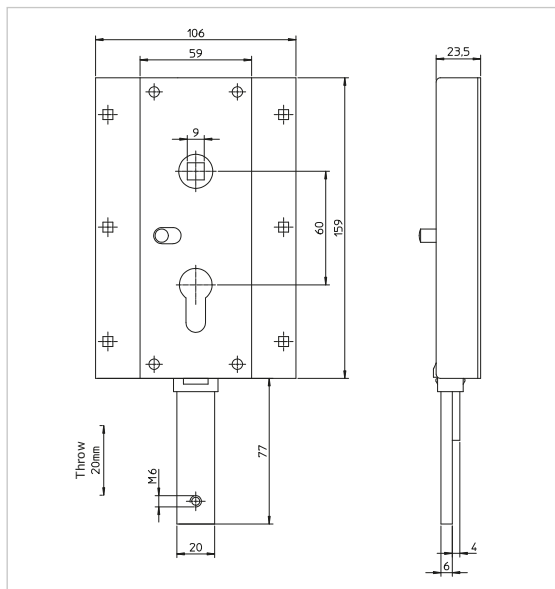
1836/42



- Garage door lock 1836/42
- Provided for three rigid rods horizontally and downwards
- 5.5 mm attachment hole
- To take profile cylinder
- Zinc-plated
- 9 mm follower
- 60 mm distance
- Day and night function
- Article nr. 9183642000

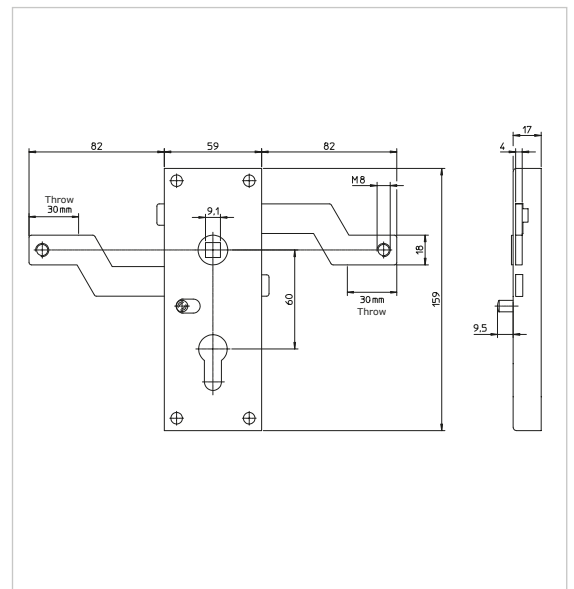
1842 and 1845 Series. Garage door locks.

1842/J



- Garage door lock 1842/J
- Provided for one spring-loaded rod downwards
- M6 attachment hole
- To take profile cylinder
- Zinc-plated
- 9 mm follower
- 60 mm distance
- Day and night function
- Article nr. 9184200100

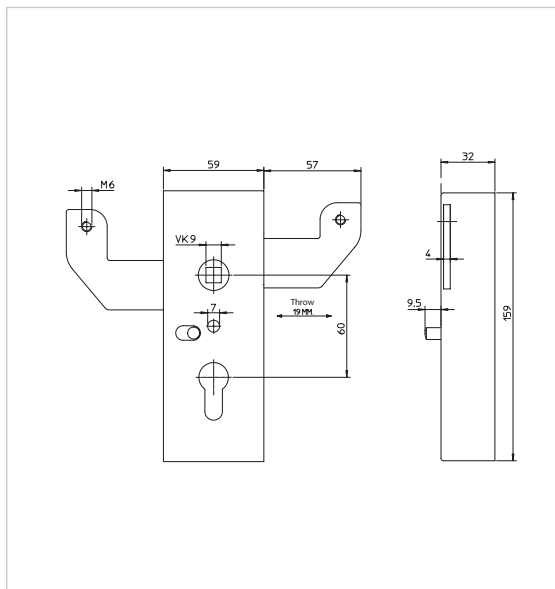
1845/02



- Garage door lock 1845/02
- Provided for two rigid rods horizontally
- M8 attachment hole
- To take profile cylinder
- Zinc-plated
- 9 mm follower
- 60 mm distance
- Day and night function
- Article nr. 9184502000

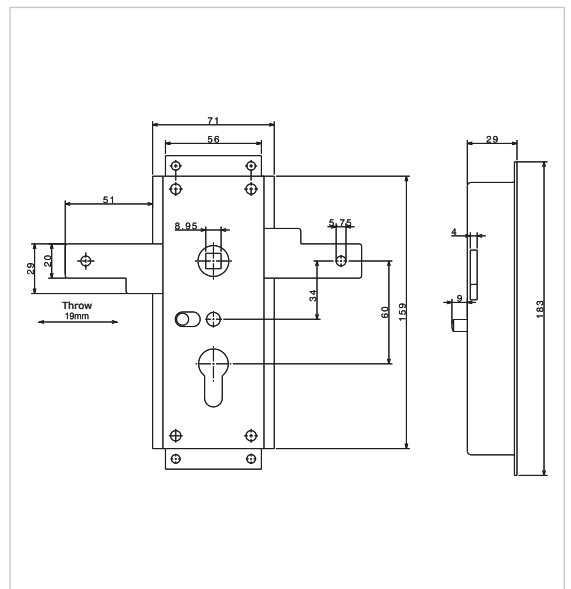
1846 Series. Garage door locks.

1846 GS



- Garage door lock 1846 GS
- Provided for two rigid rods left and right upwards
- M6 attachment hole
- To take profile cylinder
- Zinc-plated
- 9 mm follower
- 60 mm distance
- Day and night function
- Article nr. 9184600000

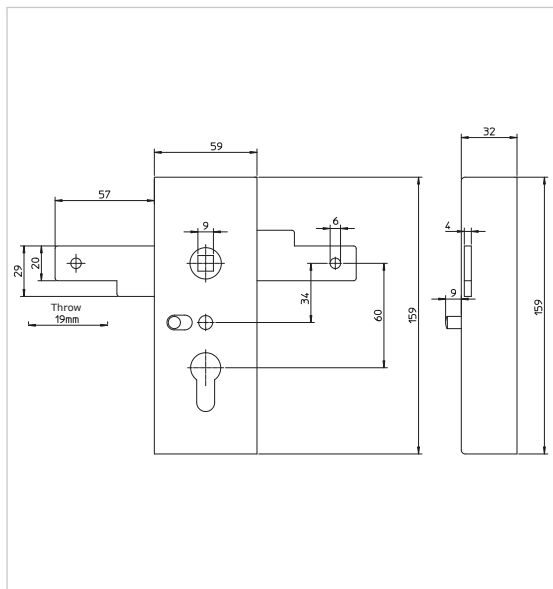
1846/02



- Garage door lock 1846/02
- Provided for two rigid rods horizontally
- 5.8 mm attachment hole
- To take profile cylinder
- Zinc-plated
- 9 mm follower
- 60 mm distance
- Day and night function
- Article nr. 9184602010

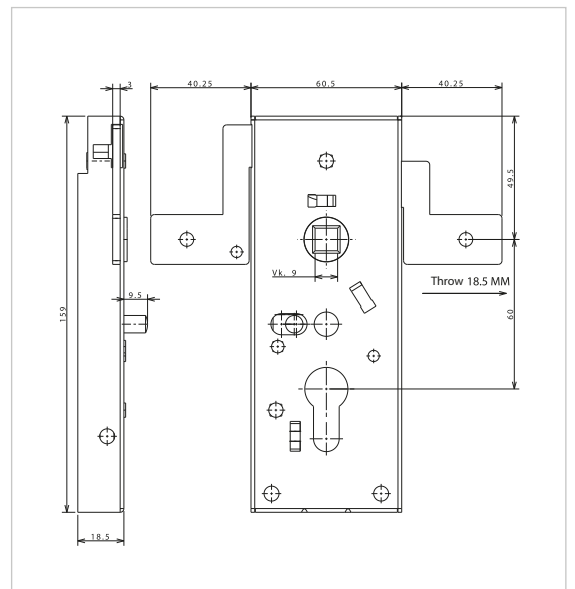
1846 Series. Garage door locks.

1846/05



- Garage door lock 1846/05
- Provided for two rigid rods horizontally
- 6 mm attachment hole
- To take profile cylinder
- Zinc-plated
- 9 mm follower
- 60 mm distance
- Night function
- Article nr. 9184605005

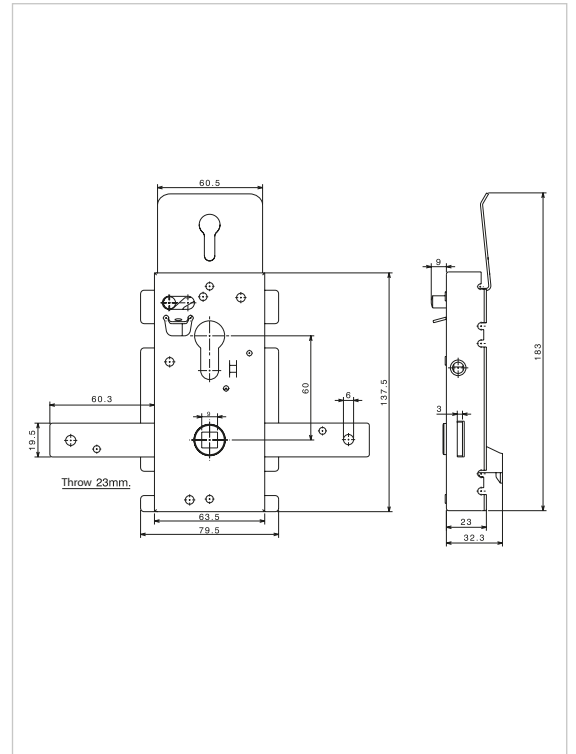
1846/42



- Garage door lock 1846/42
- Provided for two rigid rods horizontally
- 5.5 mm attachment hole
- To take profile cylinder
- Zinc-plated
- 9 mm follower
- 60 mm distance
- Day and night function
- Article nr. 9184642005

1851 Series. Garage door locks.

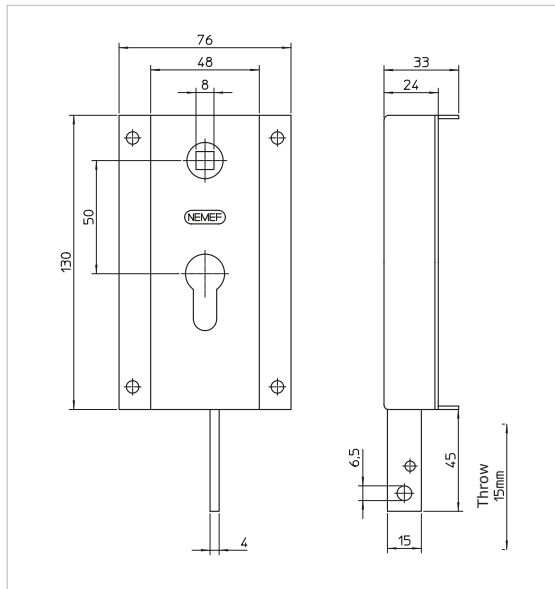
1851/60



- Garage door lock 1851/60
- Provided for two spring-loaded rods horizontally
- 5.5 mm attachment hole
- To take profile cylinder
- Zinc-plated
- 9 mm follower
- 60 mm distance
- Day and night function
- Article nr. 9185160010

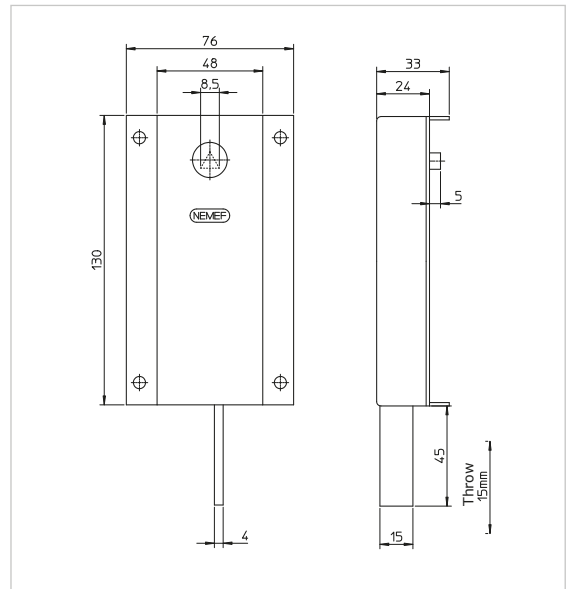
1860 and 1861 Series. Garage door locks.

1860



- Garage door lock 1860
- Provided for one spring-loaded rod downwards
- To take profile cylinder
- Zinc-plated
- 8 mm follower
- 50 mm distance
- Night function without knob on inside
- Article nr. 9186000000

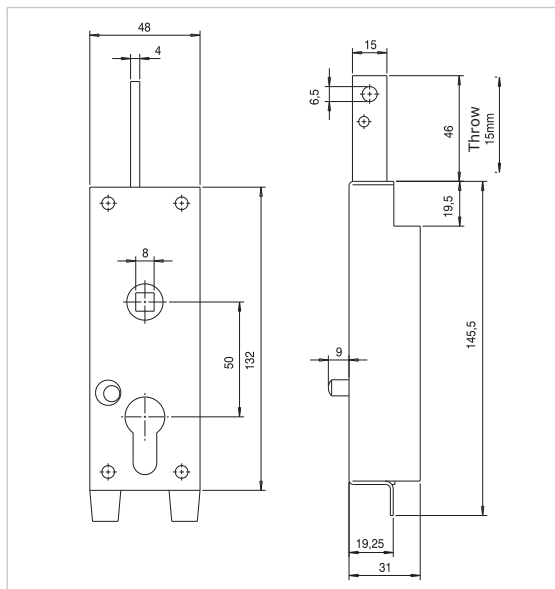
1861



- Garage door lock 1861
- Provided for one spring-loaded rod downwards
- Zinc-plated
- 8.5 mm triangle follower
- Article nr. 9186100000

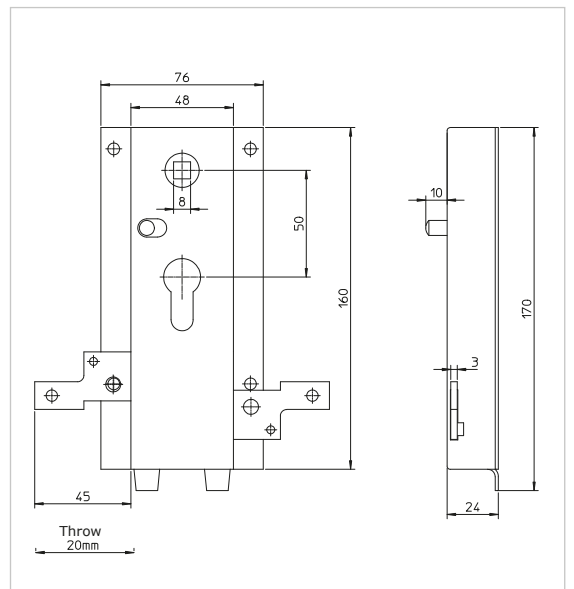
1864 and 1899 Series. Garage door locks.

1864



- Garage door lock 1864
- Provided for one rigid rod upwards
- 6.5 mm attachment hole
- To take profile cylinder
- Zinc-plated
- 8 mm follower
- 50 mm distance
- Day and night function
- Artikel nr. 9186400005

1899/23

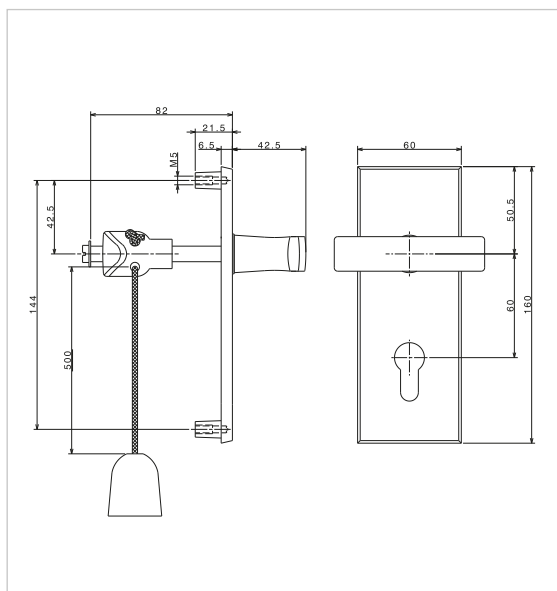


- Garage door lock 1899/23
- Provided for two spring-loaded rods horizontally
- 5.3 mm attachment hole
- To take profile cylinder
- Zinc-plated
- 8 mm follower
- 50 mm distance
- Day and night function
- Artikel nr. 9189923000

Accessories.

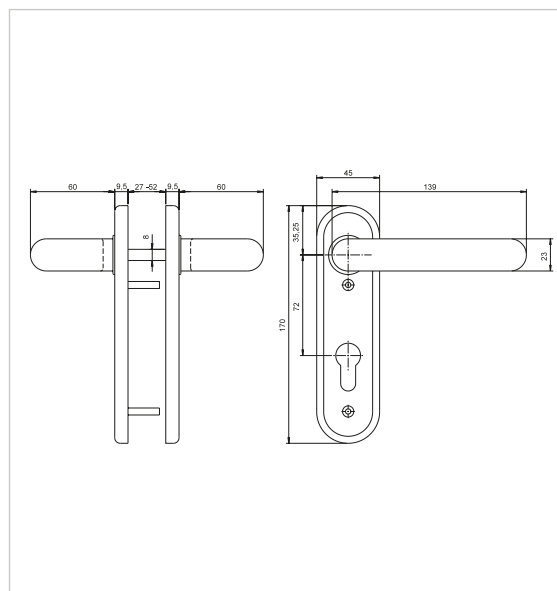
Garage door lock furniture.

3023



- Garage door lock furniture 3023, consisting of:
 - Outside handle 60 mm M6
9 mm square spindle
Aluminium F1
 - Long plate M5
Aluminium F1
60 mm distance
 - Inside handle with orange ornament
and synthetic cord 50 cm long
- Article nr. 9302300000

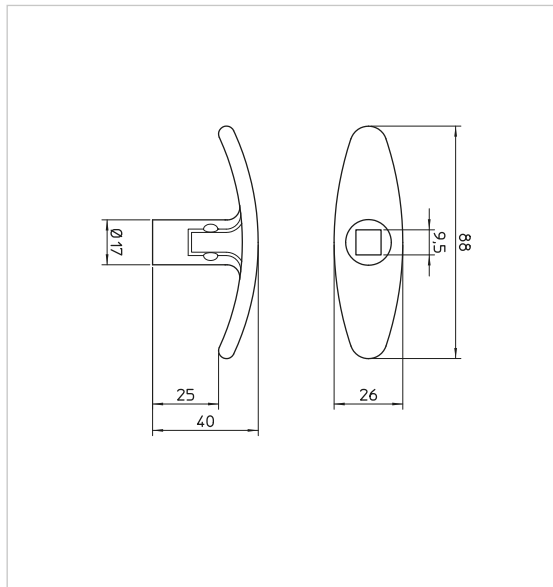
2959/02



- Lever/lever door handle 2959/02
- PVC black
- 8 mm square spindle
- 72 mm distance
- Suitable for lock 1759
- Article nr. 9295902000

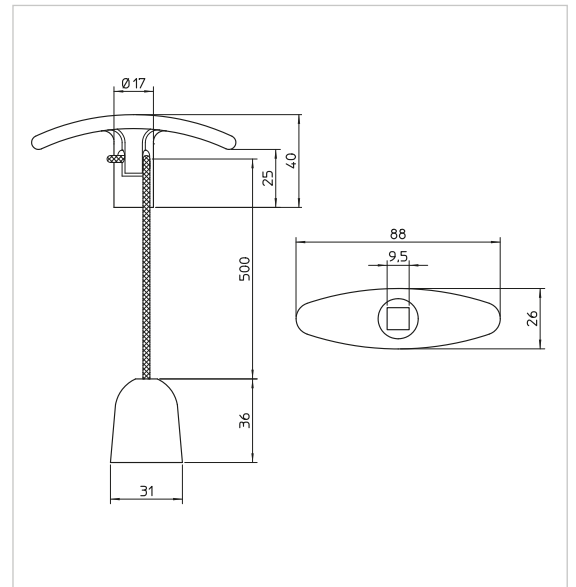
Accessories. Inside handle.

3071



- Inside handle 3071
- PVC black
- M6 fixing screw
- Article nr. 9307100000

3072

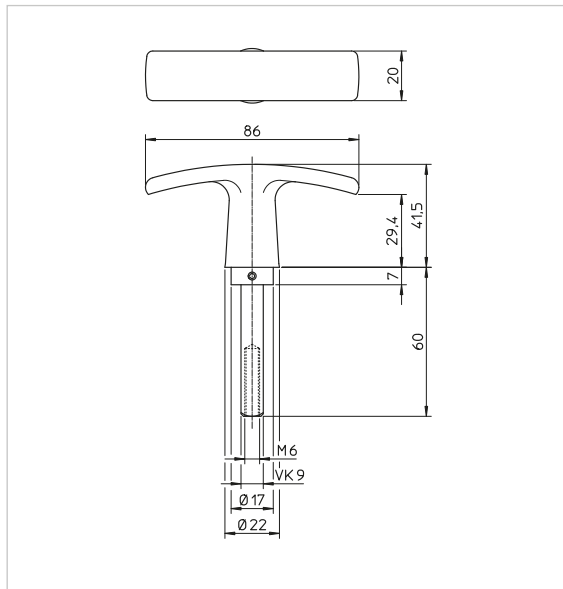


- Inside handle 3072/22
- PVC black
- M6 fixing screw
- With ornament and synthetic cord 50 cm long
- Article nr. 9307222506

Accessories.

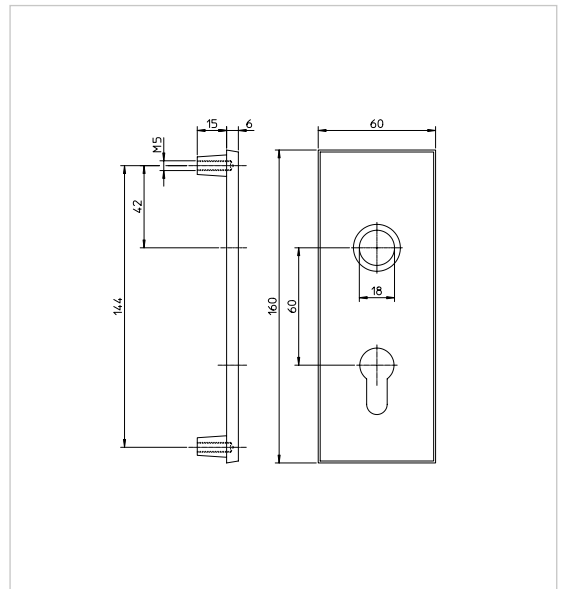
Outside handle and long plate.

3041/04



- Outside handle 3041/4
- 9 mm square spindle
- M6 fixing screw
- 60 mm spindle length
- Article nr. 9304104606
- Outside handle 3041/4
- 9 mm square spindle
- M6 fixing screw
- 82 mm spindle length
- Article nr. 9304104826
- Outside handle 3041/4
- 8 mm square spindle
- M6 fixing screw
- 60 mm spindle length
- Article nr. 9304104608

3051/04

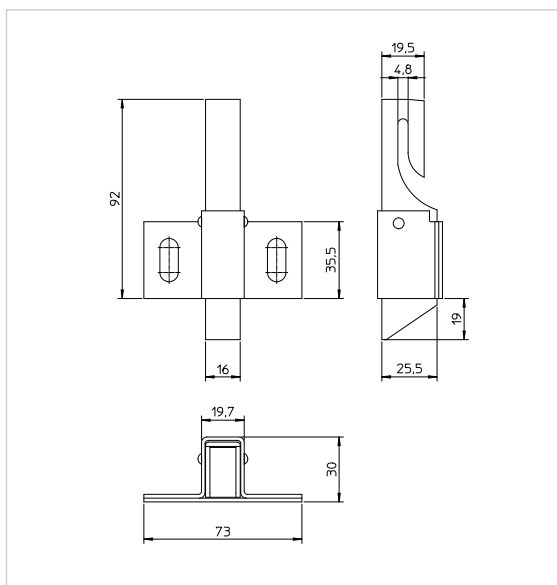


- Outside plate 3051/4
- Aluminium F1
- To take profile cylinder
- 60 mm distance
- M5 fixing screw hole
- Article nr. 9305104005

Accessories.

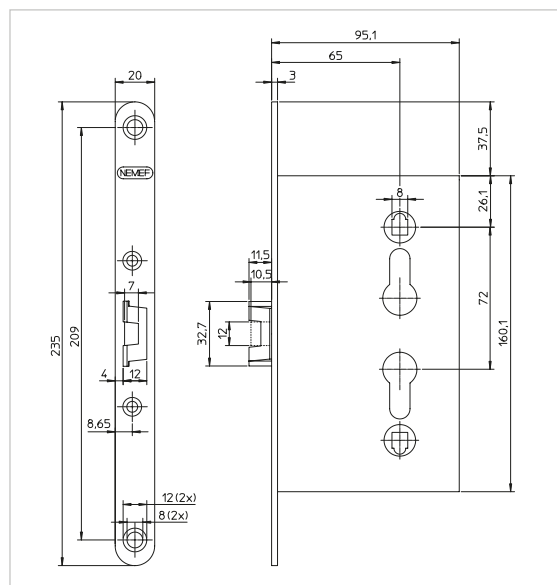
Catches and special mortise lock.

2550



- Catches 2550
- MOQ per 100 pieces
- Steel zinc-plated
- Article nr. 9255300000 (Photo)
- Article nr. 9255400000 latch turned
- Article nr. 9255401000
- Article nr. 9255403000

1759/29

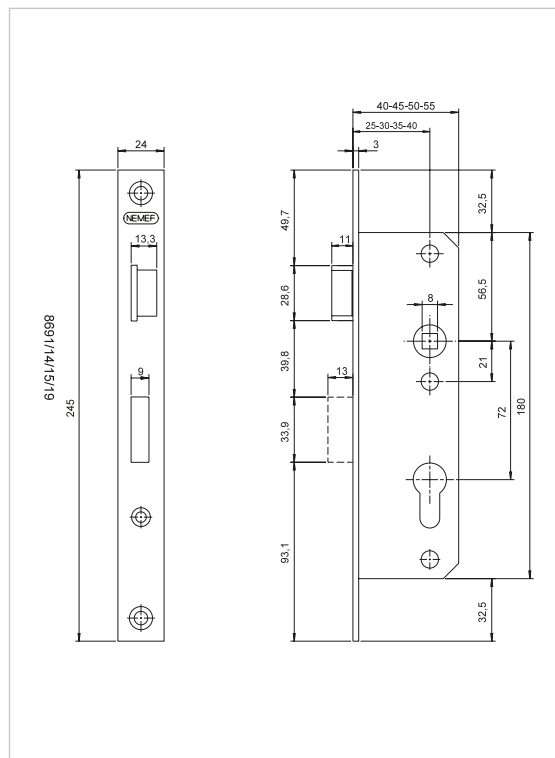


- Mortise sash lock 1759/29
- To take profile cylinder
- Key action on latch bolt
- 65 mm backset
- 72 mm distance
- Front plate 20x235 mm rounded lacquered RAL 7385
- 8 mm follower
- Non-handed
- Without strike plate
- Article nr. 9175929000

Accessories.

Narrow style locks.

8691/14

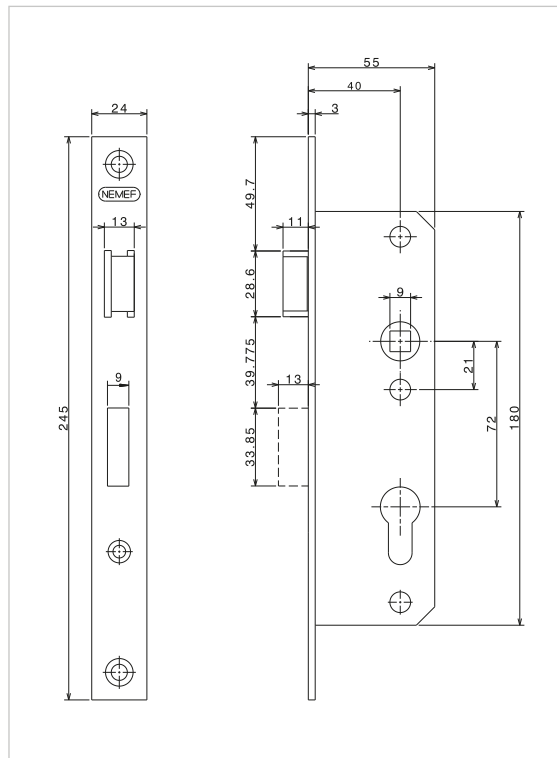


- Narrow style mortise sash lock 8691/14
- To take profile cylinder
- Key action on latch bolt
- 25, 30, 35 and 40 mm backset
- 72 mm distance
- Front plate 24x245 mm square zinc-plated
- 8 mm follower
- Handed
- Without strike plate
- Article nr. 9869114251 DIN LH
- Article nr. 9869114252 DIN RH
- Article nr. 9869114301 DIN LH
- Article nr. 9869114302 DIN RH
- Article nr. 9869114351 DIN LH
- Article nr. 9869114352 DIN RH
- Article nr. 9869114401 DIN LH
- Article nr. 9869114402 DIN RH

Accessories.

Narrow style locks.

8691/31



- Narrow style mortise sash lock 8691/31
- To take profile cylinder
- Key action on latch bolt
- 40 mm backset
- 72 mm distance
- Front plate 24x245 mm square zinc-plated
- 9 mm follower
- Latch reversible
- Without strike plate
- Article nr. 9869131401 DIN LH
- Article nr. 9869131402 DIN RH

ASSA ABLOY is the global leader in door opening solutions, dedicated to satisfying end-user needs for security, safety and convenience



ASSA ABLOY

ASSA ABLOY Nederland B.V.
P.O. Box 40, 4940 AA
Meerval 5, 4941 SK
Raamsdonkveer
The Netherlands

Tel. +31 88 639 48 26
export@assaabloy.nl
www.nemef.com