



Multi-point locks.



JTP Branding & Marketing / 9999990461 september 2010

ASSA ABLOY is the global leader in door opening solutions, dedicated to satisfying end-user needs for security, safety and convenience.



nemef.nl

ASSA ABLOY, the global leader in door opening solutions





Nemef guarantees an extensive and continually growing assortment of locks and builders' hardware, such as door locks, profile cylinders, multi-point locks and access control. These quality products, that leave the Nemef plant, reach their customers quickly and efficiently due to a hypermodern distribution centre. Nemef is working today on the standard for tomorrow through innovative product development focused on contemporary user convenience.

Multi-point locks

Nemef security multi-point locks 4900 series

The burglary resistant multi-point locks from Nemef have been developed to meet the highest demands which are made on locks and builders' hardware. The unique construction combines optimal security with durability and quality. The multi-point locks are suitable for all kinds of doors.

The advantages of the Nemef multi-point locks in practice

Most door manufacturers, ironmongers and individual installers select the Nemef 4900 series. The Nemef multi-point locks offer comfort, security and an easy operation for the end user. The Nemef multi-point locks are simple and quick to install.

- Fitted with three tapered hook-bolts and suitable for hardwood or softwood doors.
- Suitable for doors up to and including 2400 mm height (door thickness 38 - 40 mm). When the door thickness is 54 mm, it is suitable for doors up to and including 2700 mm height (based on the Dutch type of doors and SKH hallmark).
- The combination of tapered hook-bolts with an adjustable box strike, where the hook-bolts catch behind the strike plate, guarantees a smooth operation even with an 8 mm warped door.
- Also available in 'Comfort line', where the cylinder is above the handle.
- Nemef multi-point locks are non-handed due to an easily reversible latch bolt construction.



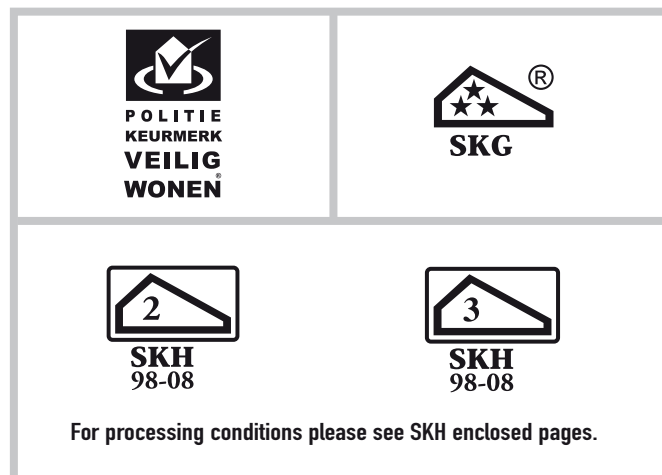
Optimal burglary resistant, quality and durability for many years to come.

ISO 9001

Nemef is ISO 9001 and ISO 14001 certified.

Nemef multi-point locks

- tested for security
- user friendly operation



Product features

- The multi-point locks are available in a lever operated or cylinder operated version
- Front plate lengths are 1700 or 1950 mm
- Front plate width 20 or 24 mm
- The latch bolt is easily reversible
- Available in 55 and 65 mm backset
- Nemef 4900 series of multi-point locks carry the standards of the Dutch police hall mark 'safe living', for existing and new housing estates
- All multi-point locks are approved by SKG, SKH and SHR

Completely closed

Nemef security cylinders, security furniture, security hinges and adjustable box strikes complete the multi-point locks and easily ensure the secure locking of the door.



Multi-point locks



Comfort line
(cylinder is
above the handle)

Comfort and Excellence line

- Dimension of the front plate 1700 or 1950 mm
- Front plate-steel blue passivated
- Upper hook-bolt brass nickel-plated
- Lower hook-bolt brass nickel-plated
- Main hook-bolt hardened steel nickel-plated
- Latch brass nickel-plated
- As a result of special nickel-plating on the hook-bolts, a smooth surface is achieved and therefore provides less resistance if the doors are warped
- Due to the special hook-bolt length a closing gap of 10 mm can be bridged
- Doors which are warped by 8 mm can still be operated without any problems
- SKG report 427.212.09
- SKH publication 98-08
- Approved by SKH/SHR for builders' hardware ENV 1627 Class 2
- All cylinder operated multi-point locks are equipped with a gear construction for an easy operation



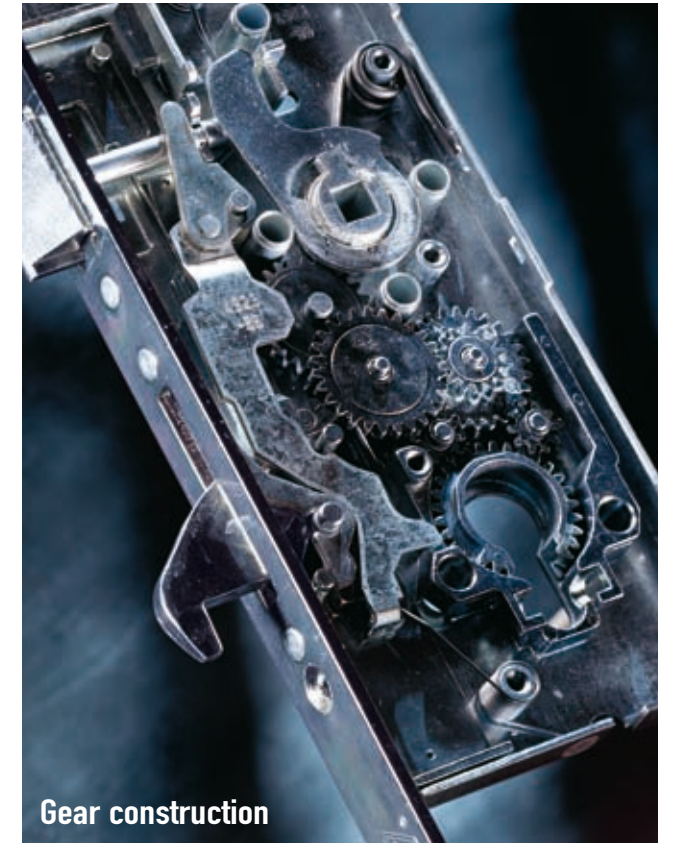
Excellence line

Gear construction

- Opening and closing: turn the key twice to open or close the hook-bolts

Lever operation

- Closing: lift handle up to lock the door; turn key one throw to lock the hook-bolts
- Opening: turn key one throw to unlock the hook-bolts, push lever downwards to open the door



Gear construction



Lever operation: closing



Lever operation: opening

Multi-point locks

User advice

The 4900 series from Nemef is approved for doors up to and including 2400 mm height (door thickness 38 - 40 mm).

When door thickness is 54 mm, Nemef multi-point locks are approved up to a height of 2700 mm.

We recommend the application of the 4900 series with a front plate length of 1700 mm* for doors up to 2250 mm.

For higher doors up to 2400 mm we recommend front plate lengths of 1950 mm.

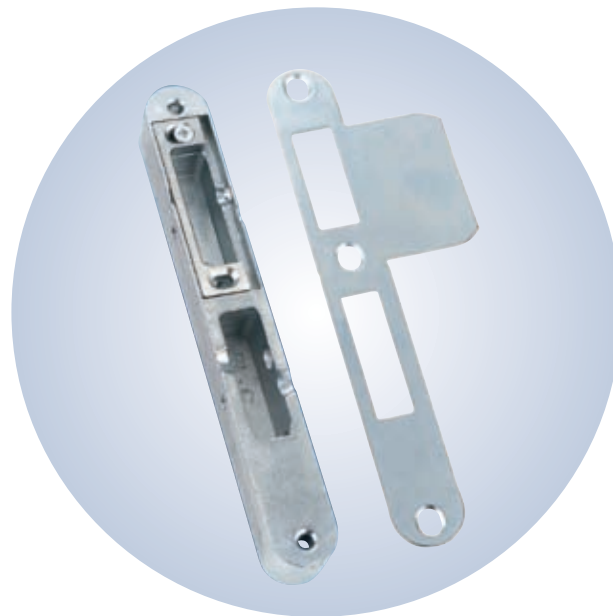
* For full height milling, special filling pieces are available.

Filling pieces

For the purpose of simple morticing and assembly, Nemef can provide special top and bottom filling pieces, so the door can be milled through the full height.

Closing perfection

Due to the special length of the hook-bolts a gap of 10 mm can be bridged.



The combination of tapered hook-bolts with an adjustable box strike, where the hook-bolts catch behind the strike plate, guarantees a smooth operation even with an 8 mm warped door.

Increased sound and heat protection

The smooth operation and perfect closing of the Nemef multi-point locking devices assists in making an increased sound and heat transference protection possible.



Multi-point locks

GEAR CONSTRUCTION

COMFORT LINE 3-POINT GEAR CONSTRUCTION 4913				
Article	4913/01	4913/11	4913/02	4913/12
Operation	cylinder	cylinder	cylinder	cylinder
Front plate	rounded	rounded	rounded	rounded
Front plate	1950 x 24 mm	1950 x 20 mm	1700 x 24 mm	1700 x 20 mm
Backset	55 or 65 mm	55 or 65 mm	55 or 65 mm	55 or 65 mm
Centres	72 mm	72 mm	72 mm	72 mm
Suitable adjustable strike plates*	main lock PM/VPM 4910/12	main lock PM/VPM 4910/12	main lock PM/VPM 4910/12	main lock PM/VPM 4910/12
Suitable adjustable strike plates*	additional lock P 4915/12	additional lock P 4915/12	additional lock P 4915/12	additional lock P 4915/12
Suitable adjustable main box strike*	main lock VS 4910/12	main lock VS 4910/12	main lock VS 4910/12	main lock VS 4910/12
Suitable additional box strike*	additional lock VS 4915/12	additional lock VS 4915/12	additional lock VS 4915/12	additional lock VS 4915/12

GEAR CONSTRUCTION

EXCELLENCE LINE 3-POINT GEAR CONSTRUCTION 4923				
Article	4923/01	4923/11	4923/02	4923/12
Operation	cylinder	cylinder	cylinder	cylinder
Front plate	rounded	rounded	rounded	rounded
Front plate	1950 x 24 mm	1950 x 20 mm	1700 x 24 mm	1700 x 20 mm
Backset	55 or 65 mm	55 or 65 mm	55 or 65 mm	55 or 65 mm
Centres	72 mm	72 mm	72 mm	72 mm
Suitable adjustable strike plates*	main lock PM/VPM 4920/12	main lock PM/VPM 4920/12	main lock PM/VPM 4920/12	main lock PM/VPM 4920/12
Suitable adjustable strike plates*	additional lock P 4915/12	additional lock P 4915/12	additional lock P 4915/12	additional lock P 4915/12
Suitable adjustable main box strike*	main lock VS 4920/12	main lock VS 4920/12	main lock VS 4920/12	main lock VS 4920/12
Suitable additional box strike*	additional lock VS 4915/12	additional lock VS 4915/12	additional lock VS 4915/12	additional lock VS 4915/12

LEVER OPERATION

COMFORT LINE 3-POINT LEVER OPERATION 4916				
Article	4916/01	4916/11	4916/02	4916/12
Operation	lever	lever	lever	lever
Front plate	rounded	rounded	rounded	rounded
Front plate	1950 x 24 mm	1950 x 20 mm	1700 x 24 mm	1700 x 20 mm
Backset	55 or 65 mm	55 or 65 mm	55 or 65 mm	55 or 65 mm
Centres	72 mm	72 mm	72 mm	72 mm
Suitable adjustable strike plates*	main lock PM/VPM 4910/12	main lock PM/VPM 4910/12	main lock PM/VPM 4910/12	main lock PM/VPM 4910/12
Suitable adjustable strike plates*	additional lock P 4915/12	additional lock P 4915/12	additional lock P 4915/12	additional lock P 4915/12
Suitable adjustable main box strike*	main lock VS 4910/12	main lock VS 4910/12	main lock VS 4910/12	main lock VS 4910/12
Suitable additional box strike*	additional lock VS 4915/12	additional lock VS 4915/12	additional lock VS 4915/12	additional lock VS 4915/12

LEVER OPERATION

EXCELLENCE LINE 3-POINT LEVER OPERATION 4926				COMFORTE® 3-POINT GEAR CONSTRUCTION 4915		
Article	4926/01	4926/11	4926/02	4926/12	4915/01 or /11	4915/02 or /12
Operation	lever	lever	lever	lever	cylinder	cylinder
Front plate	rounded	rounded	rounded	rounded	rounded	rounded
Front plate	1950 x 24 mm	1950 x 20 mm	1700 x 24 mm	1700 x 20 mm	1950 x 24 or 20 mm	1700 x 24 or 20 mm
Backset	55 + 65 mm	55 + 65 mm	55 + 65 mm	55 + 65 mm	65 mm	65 mm
Centres	72 mm	72 mm	72 mm	72 mm	72 mm	72 mm
Suitable adjustable strike plates*	main lock PM/VPM 4920/12	main lock PM/VPM 4920/12	main lock PM/VPM 4920/12	main lock PM/VPM 4920/12	main lock PM/VPM 4900/17	main lock PM/VPM 4900/17
Suitable adjustable strike plates*	additional lock P 4915/12	additional lock P 4915/12	additional lock P 4915/12	additional lock P 4915/12		
Suitable adjustable main box strike*	main lock VS 4920/12	main lock VS 4920/12	main lock VS 4920/12	main lock VS 4920/12	main lock VS 4900	main lock VS 4900
Suitable additional box strike*	additional lock VS 4915/12	additional lock VS 4915/12	additional lock VS 4915/12	additional lock VS 4915/12	box strike + strike plate VS 4905/7	box strike + strike plate VS 4905/7

MECHANICAL OPERATION (LEVER FREE)

COMFORTE® 3-POINT MECHANICAL 4917						
Article	4917/01 or /11	4917/02 or /12	4917/01 or /03	4917/02 or /04	4917/05 or /07	4917/06 or /08
Operation	lever 1 side lever free	lever 1 side lever free	lever 2 sides lever free			
Front plate	rounded	rounded	rounded	lever 2 sides lever free	lever panic	lever panic
Front plate	1950 x 24 or 20 mm	1700 x 24 or 20 mm	1950 x 24 or 20 mm	rounded	rounded	rounded
Backset	65 mm	65 mm	65 mm	1700 x 24 or 20 mm	1950 x 24 or 20 mm	1700 x 24 or 20 mm
Centres	72 mm	72 mm	72 mm	65 mm	65 mm	65 mm
Suitable adjustable strike plates	main lock PM/VPM 4900/17	main lock PM/VPM 4900/17	main lock PM/VPM 4900/17	72 mm	72 mm	72 mm
Suitable adjustable box strike	main lock VS 4900	main lock VS 4900	main lock VS 4900	main lock PM/VPM 4900/17	main lock PM/VPM 4900/17	main lock PM/VPM 4900/17
Suitable adj. box strike and strike plate	additional lock VS 4905/7	additional lock VS 4905/7	additional lock VS 4905/7	main lock VS 4900	main lock VS 4900	main lock VS 4900

ELECTRO MECHANICAL OPERATION (LEVER FREE)

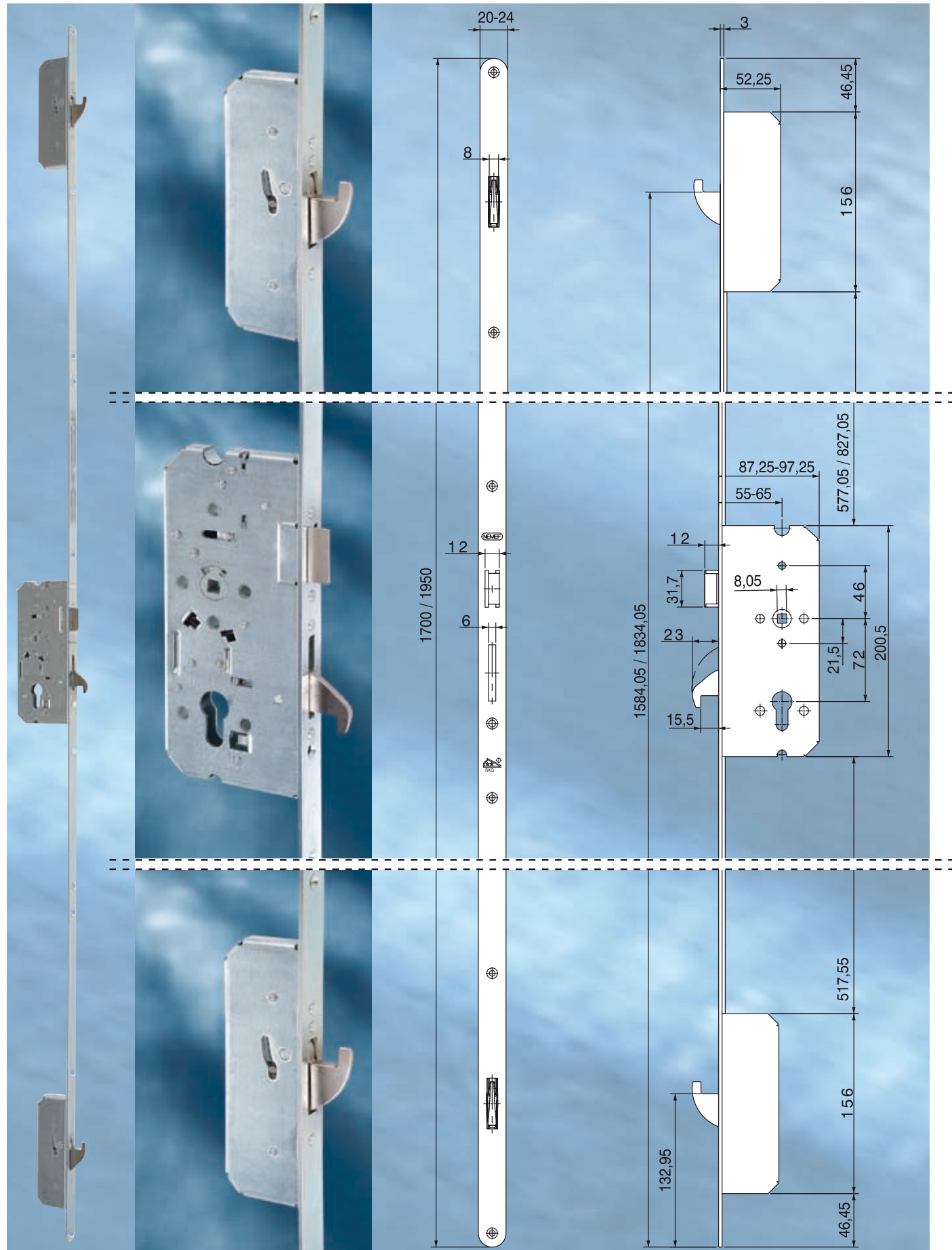
COMFORTE® 3-POINT MECHANICAL 4918						
Article	4918/01 or /11	4918/02 or /12	4918/01 or /03	4918/02 or /04	4918/05 or /07	4918/06 or /08
Operation	lever 1 side lever free	lever 1 side lever free	lever 2 sides lever free	lever 2 sides lever free	lever panic	lever panic
Front plate	rounded	rounded	rounded	rounded	rounded	rounded
Front plate	1950 x 24 or 20 mm	1700 x 24 or 20 mm	1950 x 24 or 20 mm	1700 x 24 or 20 mm	1950 x 24 or 20 mm	1700 x 24 or 20 mm
Backset	65 mm	65 mm	65 mm	65 mm	65 mm	65 mm
Centres	72 mm	72 mm	72 mm	72 mm	72 mm	72 mm
Suitable adjustable strike plates	main lock PM/VPM 4900/17	main lock PM/VPM 4900/17	main lock PM/VPM 4900/17	main lock PM/VPM 4900/17	main lock PM/VPM 4900/17	main lock PM/VPM 4900/17
Suitable adjustable box strike	main lock VS 4900	main lock VS 4900	main lock VS 4900	main lock VS 4900	main lock VS 4900	main lock VS 4900
Suitable adj. box strike and strike plate	additional lock VS 4905/7	additional lock VS 4905/7	additional lock VS 4905/7	additional lock VS 4905/7	additional lock VS 4905/7	additional lock VS 4905/7

* For increased adjustability we advise the use of adjustable strike plates and box strikes 4900 and 4905 (see page 18)

Multi-point locks

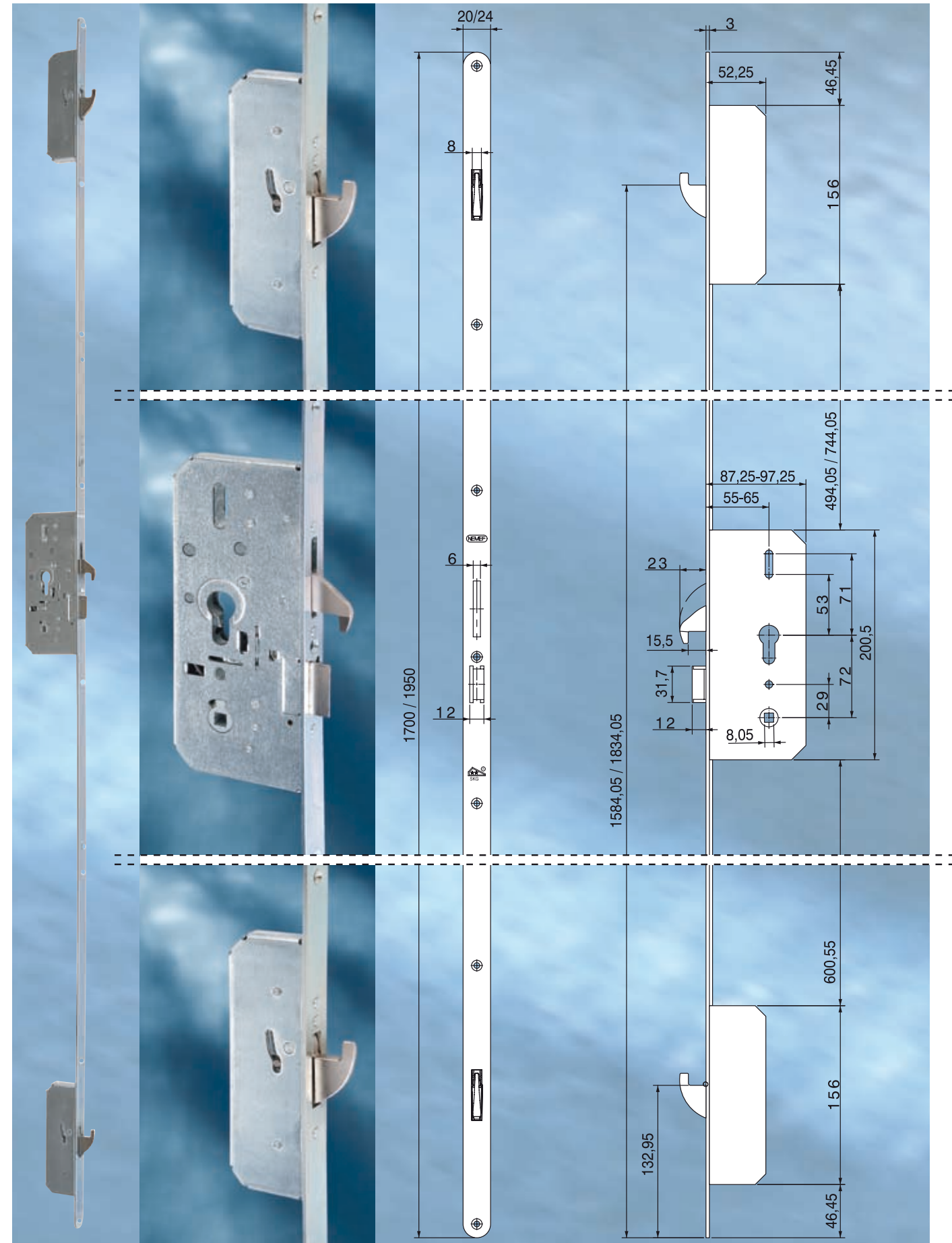
EXCELLENCE LINE 3-POINT LOCKS

4923 and 4926



COMFORT LINE 3-POINT LOCKS

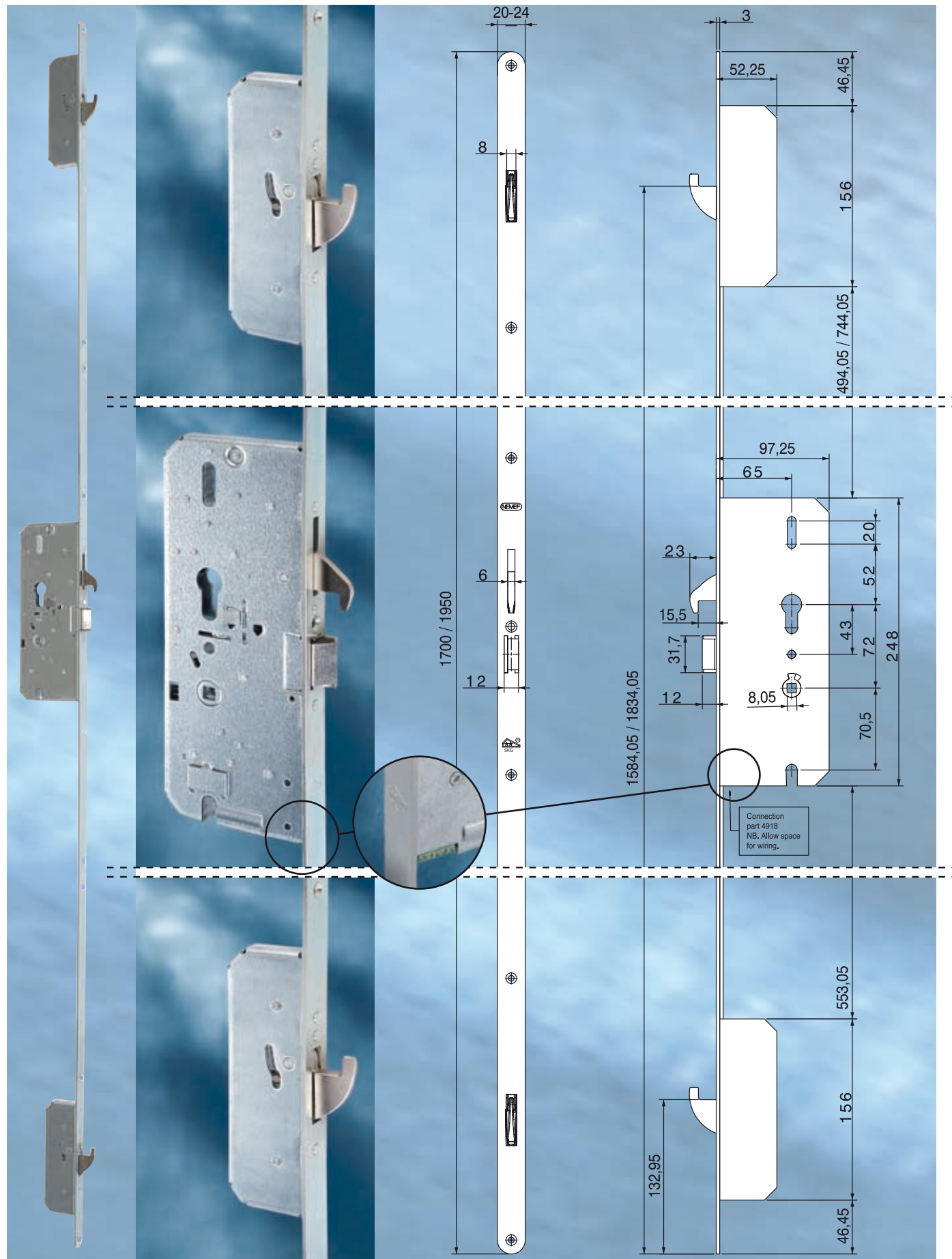
4913 and 4916



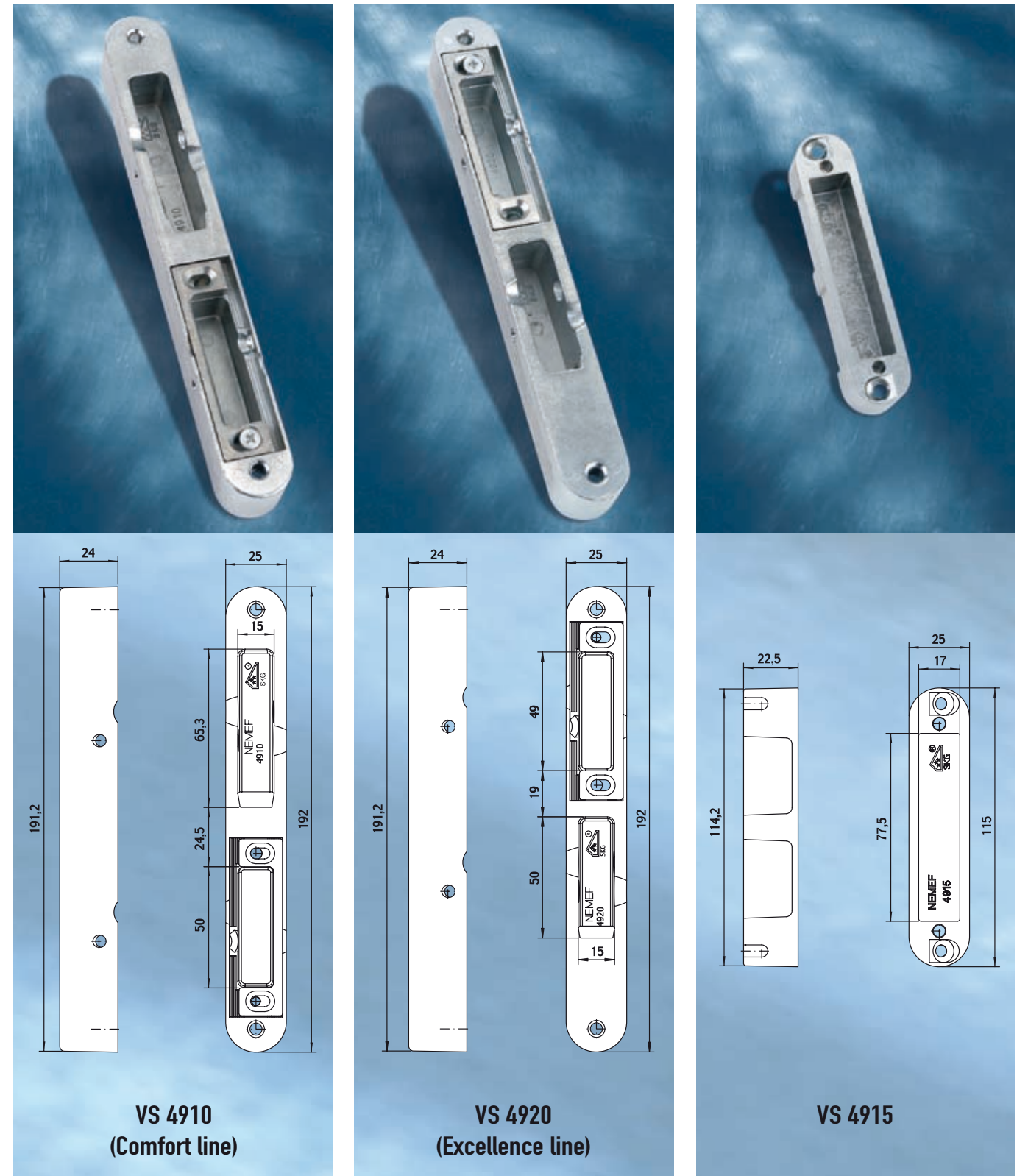
Multi-point locks

COMFORTE®

4915, 4917 and 4918



BOX STRIKES

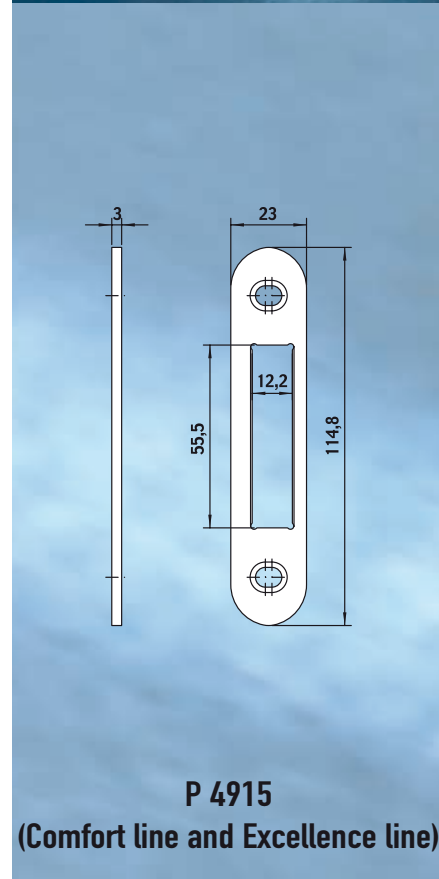
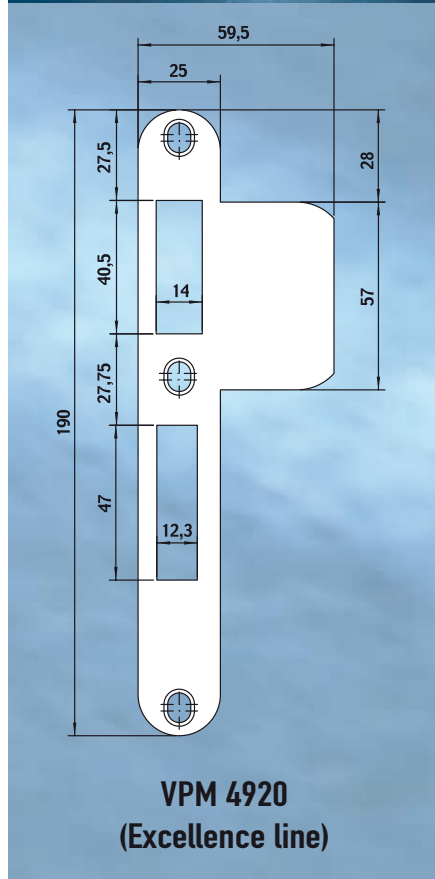
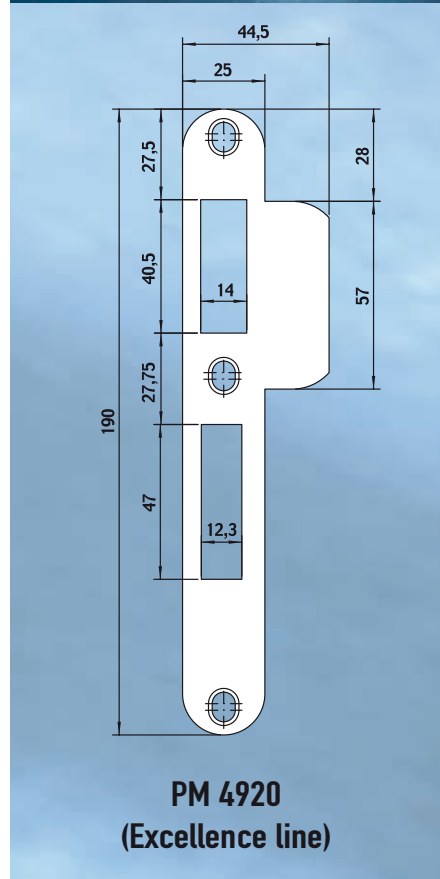


Especially for the Comfort and Excellence line, adjustable box strikes are available for main and additional locks, where a minimum adjustability of 4 mm is possible. The box strikes are according to SKG***

- Box strikes for the main locks are VS4910 (Comfort line) and VS4920 (Excellence line) (see SKG report 427.613.05)
- Box strike for the additional locks is VS4915 (SKG report 427.613.07)

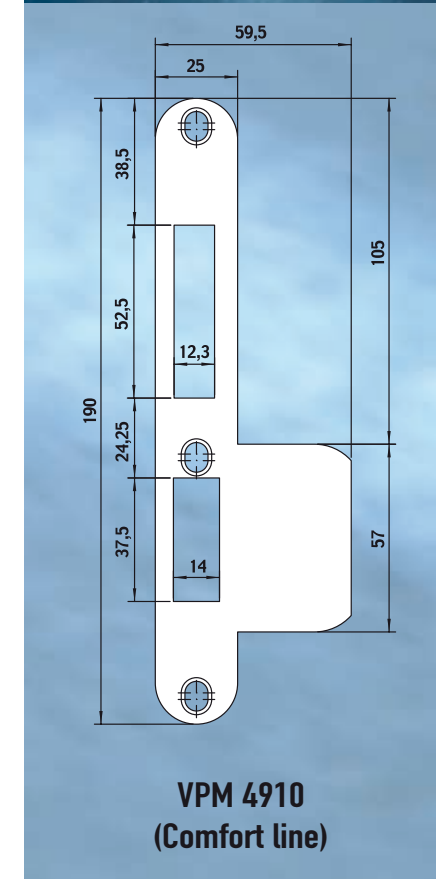
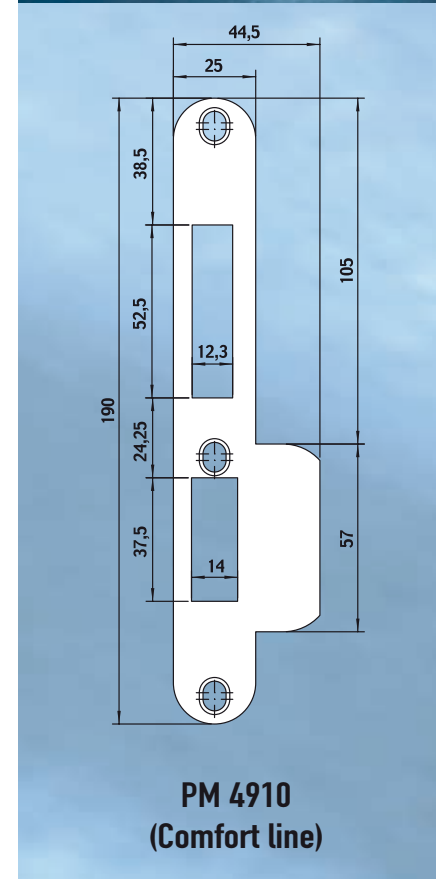
Multi-point locks

STRIKE PLATES



When multi-point locks are packed per one piece, necessary box strikes and strikes plates are included (except for article 4917 and 4918). This set consists of strike plates and box strikes belonging to the type of locksets. When packaging per five pieces is chosen, these sets should be ordered separately.

STRIKE PLATES



- Set of strike plates and box strikes PM4911/12 on behalf of 4913 and 4916
- Set of strike plates and box strikes VPM 4911/12 extended lip on behalf of 4913 and 4916
- Set of strike plates and box strikes PM 4921/12 on behalf of 4923 and 4926
- Set of strike plates and box strikes VPM 4921/12 extended lip on behalf of 4923 and 4926

The strike plates for the multi-point locks are blue passivated steel and the strike plate for the main lock is easy to bend. The strike plate for the additional lock is reversible and therefore creates an adjustability of 4 mm.

Special Nemef adjustable box strikes



In order to solve the problem of doors closing badly, as a result of shrinking and swelling caused by changing atmospheric humidity, Nemef has developed a special adjustable box strike for their multi-point locks. These adjustable box strikes are suitable for HMB milling templates and therefore have a broad application.

- The adjustable main box strike is non-handed
- Available with short and extended lip
- Suitable for both Comfort line and Excellence line



Set of box strike and strike plate PM 4900/17



Set of box strike and strike plate VPM 4900/17

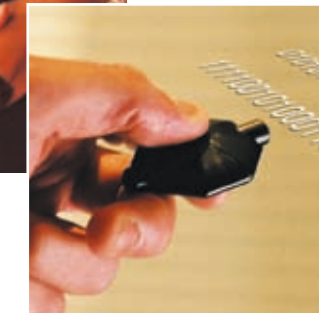
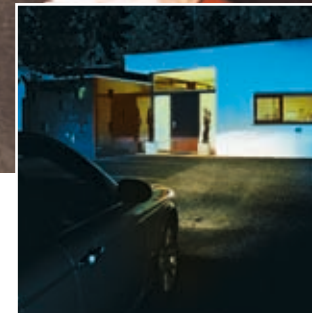


Set of box strike and strike plate VS 4905/7

Comforte® The multi-point locking device from Nemef with remote control Safe and Simple



The Nemef Comforte® has been developed to combine extra user convenience with safety. The lever operated multi-point lock can be operated mechanically as well as electronically. The Nemef Comforte® is suitable for front entrance doors, professional alarm pursuit, social/medical alert and eventually other alarm pursuits. As a result of the electrical transfer, the physical effort needed to open and close a door is diminished.



Advantages

- Mechanically and electronically operable
- Little physical strength needed
- Suitable for outside doors (three point locking)
- Working in conjunction with all kinds of access control (also on batteries)
- Suitable for nursing/rest homes and domestic use
- Also possible to operate 100% mechanically
- Possibility to switch off the EasyExit® function

For more information, please consult our Comforte® brochure.

Multi-point locks

The solution for double doors



Price winning product of Nemef and Alprokon



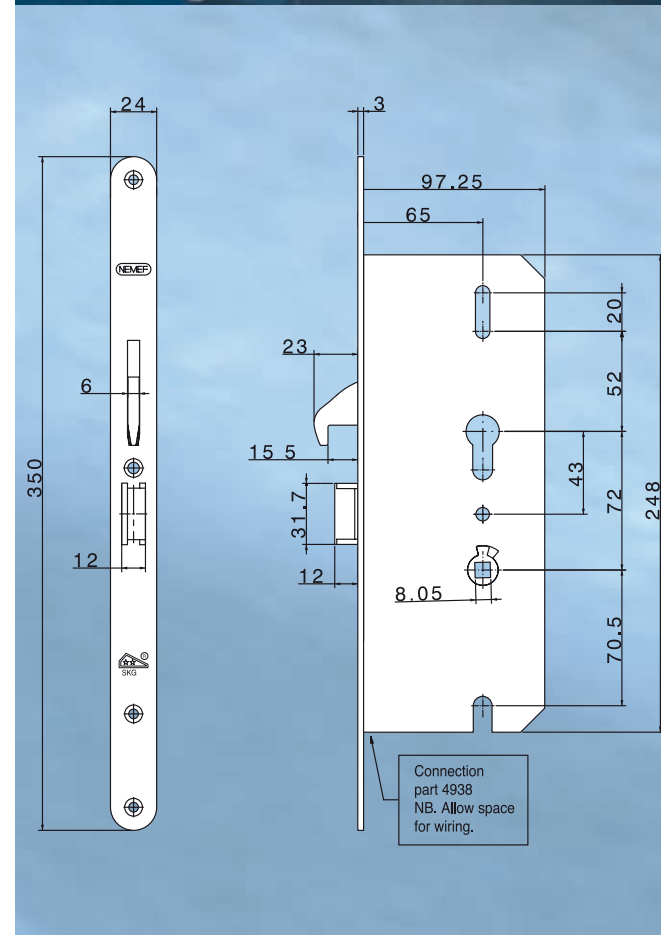
The burglary resistant P-door bolt, type 7* with integrated Nemef multi-point lock, makes up the solution for double doors of 38, 40 and 54 mm thickness (NEN 5096 - resistant class 2)

Options

- Alprokon P7- bolt with Nemef Comfort line multi-point lock in lever operation or gear construction in 55 and 65 mm backset
- Alprokon P7- bolt with Nemef Excellence line multi-point lock in lever operation or gear construction in 55 and 65 mm backset

* Now also available in type 9 for renovation.

COMFORTE® SINGLE POINT LOCKING DEVICE 4938



The burglary resistant single point version of Nemef's proven multi-point lock

Multi-point locks are not, in all situations, applicable or necessary to meet the demands of the Dutch police hall mark 'safe living'. In an existing building, most of the time an approved SKG** single point lock, such as the electronic single point lock of Nemef is sufficient. This lock offers all the functionality of the successful Nemef Comfort multi-point lock. This single point version is suitable for almost all kinds of doors.

The advantages of the Nemef single-point lock

- Various ways to operate: via intercom, external emergency room, dial up function, 'domotica' application and social medical alert
- Remote control possible via Radaris* (battery equipped)
- Opening and closing by key is still possible
- Easily to mount in hardwood and softwood wooden doors
- OneShot® and EasyExit® functionality for extra security and comfort
- Cylinder above the handle for an easy operation
- Luxury appearance through stainless steel front plate
- Combination of optimal security and user convenience
- Combination of tapered hook bolt with adjustable box strike guarantees a smooth operation
- Complies with the demands of the Dutch police hall mark 'safe living' for existing buildings
- Approved by SKG
- Nemef security cylinders and door furniture** make the lock complete
- Lever 1 side lever free /01
- Lever 2 sides lever free /81
- Lever panic /85
- Also available in the mechanical version (4937)

* Radaris is available in rim and concealed version ** Nemef offers special furniture to go with the Comforte®



Nemef LifeLine®

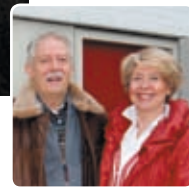
The flexible door solution
for changing housing demands

Money-saving made-to-measure by uniform cut-out



The advantages of Nemef LifeLine®

- Small commencement investment due to simplicity of the concept
- Large extent of flexibility
- Safety as starting point for the freedom of choices
- Convenience and user comfort considered in development
- Suitable for different kinds of 'domotica' applications



Nemef LifeLine®: a concept with future

Owners of housing and nursing/rest homes deal with changing residents as well as with changing housing demands. For a property developer it is very valuable to adjust housing (or part of it) to specific demands and these should be considered, for the future, during construction of the building. Nemef did this regarding the front door. Normally it remains for approximately 30 years. During this lifetime, different kinds of residents will live behind that door. Nemef LifeLine® bears this in mind by providing the doors with a uniform cut-out.* The Nemef LifeLine® concept offers property developers a strong sales argument and the owners more flexibility.

The uniform cut-out (and milling), according to the Nemef LifeLine® concept, is designed to accept the various functions of the proven Nemef Comforte® multi-point locks. This can not only be a cylinder operated mechanical lock, but also a remote controlled electronic lock that, if required, can be connected to an access control system. Depending on the demands of the resident, the lock can be up-graded, simply with relatively low costs, without modification of the door.

* patent pending

Nemef LifeLine®: Lifetime alternative choices for a single door!



Option 1: 'Good'

Due to the uniform door cut-out, various types of Nemef Comforte® multi-point locks can be mounted in the same door. The starting point, from Nemef LifeLine®, is the cylinder operated Comfort line multi-point lock 4915. A proven lock that guarantees optimal safety.



Option 2: 'Better'

The lever operated Comforte® 4917 offers extra user convenience, with functions such as OneShot® and EasyExit®. This version of the multi-point lock fits in the uniform cut-out provided by Nemef LifeLine® and can be installed immediately, or as a replacement to the 4915.



Option 3: 'Best'

Safety every time, without fiddling about with keys: select the lever operated Comforte® 4918 with built-in electronics. This version of the multi-point lock fits into the uniform Nemef LifeLine® cut-out. Moreover the Comforte® 4918 is suitable for various domestic situations.



Option 4: 'The Very Best for the future'

A door which already has the uniform cut-out of the Nemef LifeLine®, is pre-prepared for the extra assembly, including cabling, of the Radaris built-in unit. This supplementation to the Comforte® 4918 provides ultimate user convenience.